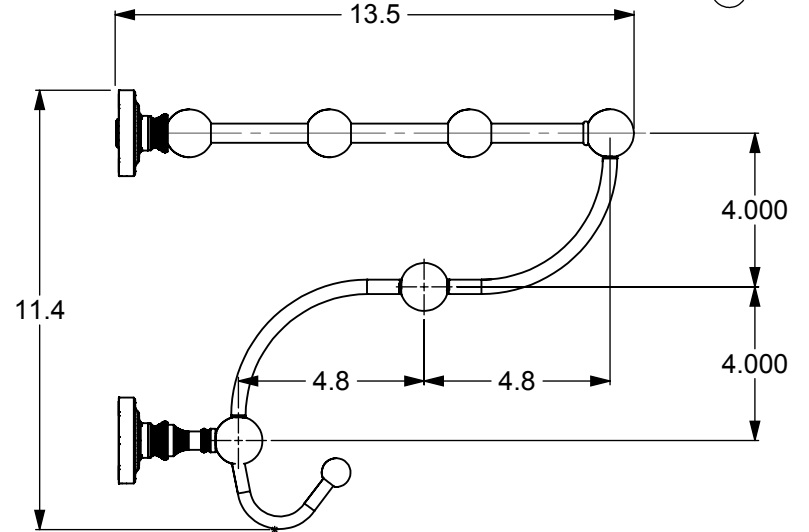
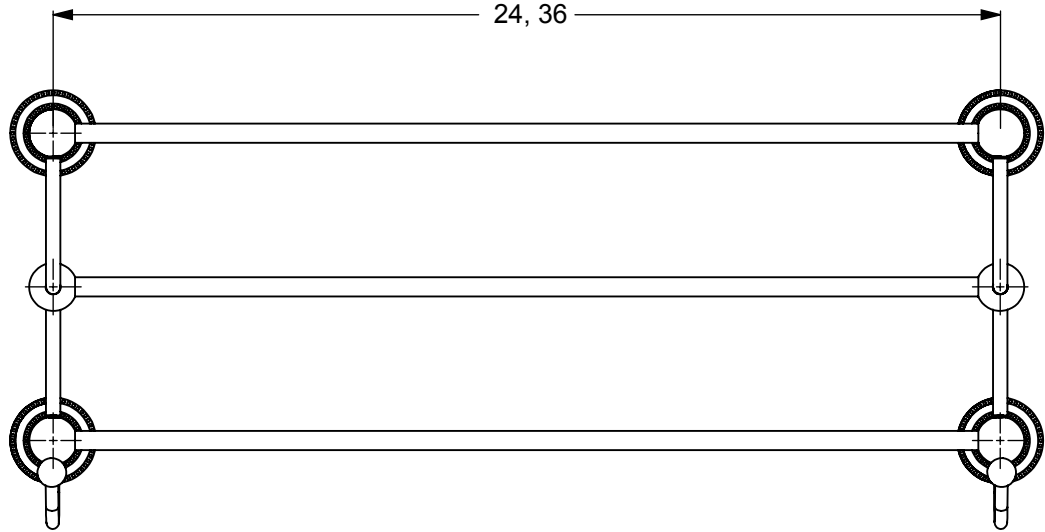
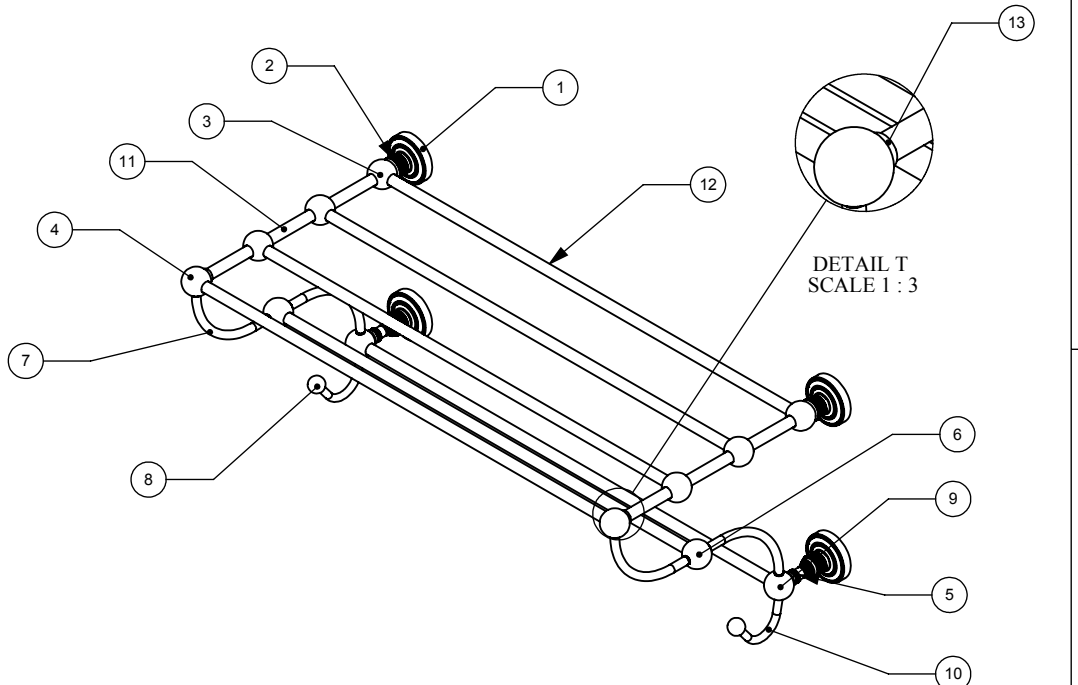


ITEM NO.	PART NUMBER	DESCRIPTION	QTY.
1	BPDT	BASE	4
2	NKSL-58	Support	4
3	BL3S1T-1.25	Support Ball-1	6
4	BL3T1S-1.25	Support Ball-2	2
5	NKSL-1.25	NECK	2
6	BL2T1S-1.25	Support Ball-3	2
7	HKTT-45	Bent Tube	4
8	BL1T-34	End Ball	2
9	BL4T1S-1.25	Support Ball-4	2
10	HKHK	END TUBE	2
11	TU12-3	Tube-3	6
12	TU12-36	Tube-24	6
13	CRRD-12	CHECK RING 0.5	2



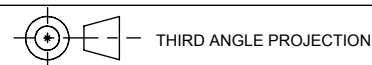
Notes:
1. UNIT IS IN INCHES.

UNLESS OTHERWISE STATED

APPROVED FOR PRODUCTION

By: RICHARD PAUL
Date: 7-6-19

COPYRIGHT © Allied Brass 2019



DRAWN	7-6-19	I.M
CHECKED	7-6-19	P.D
APPROVED	7-6-19	R.A

MATERIAL:	BRASS
DESCRIPTION:	Dottingham Collection Train Rack Towel Shelf



FINISH	TBD
QUANTITY	TBD
DRAWING No.	REV
DT-HTL-5	0
SCALE	1:5
SHEET: 01	A4